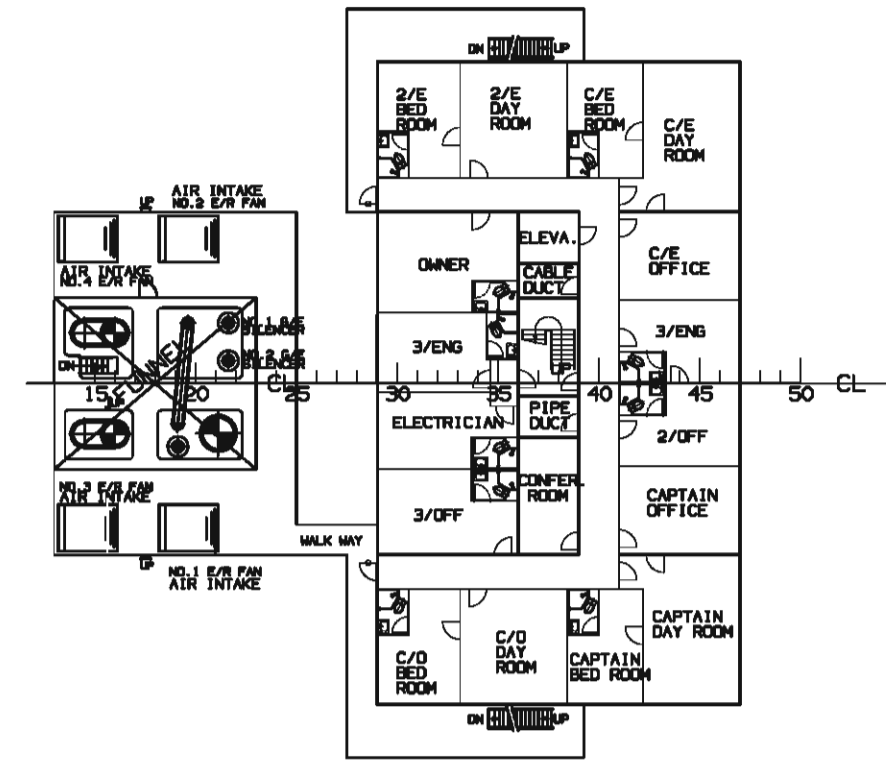


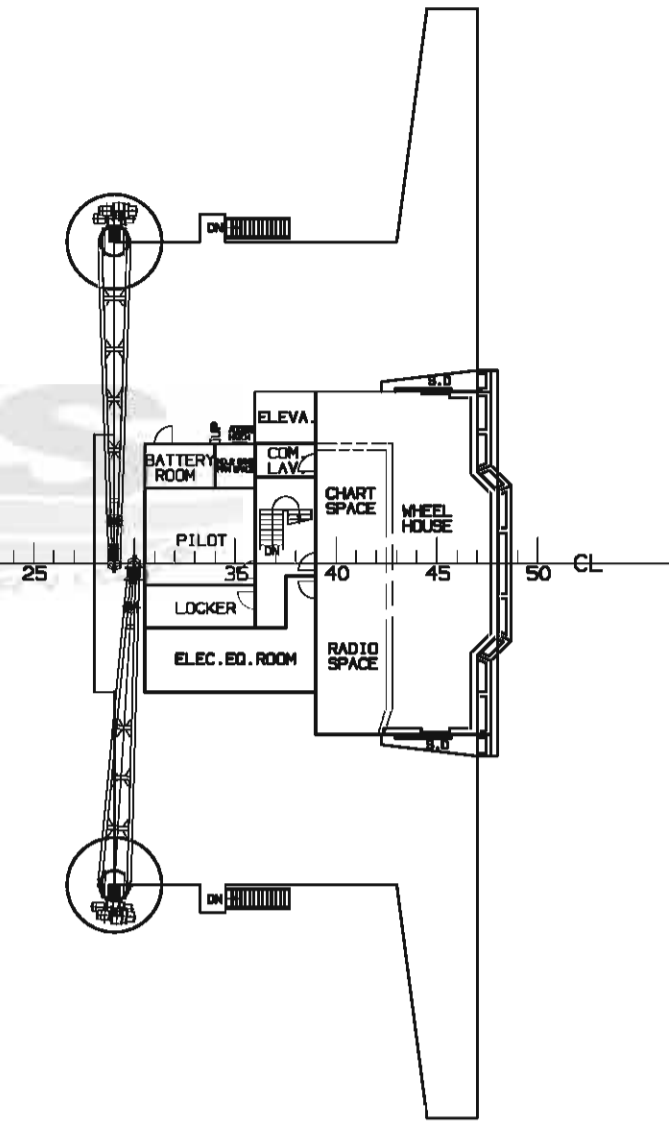
DWT 115,000MT CRUDE OIL TANKER

BIBLIOGRAPHY

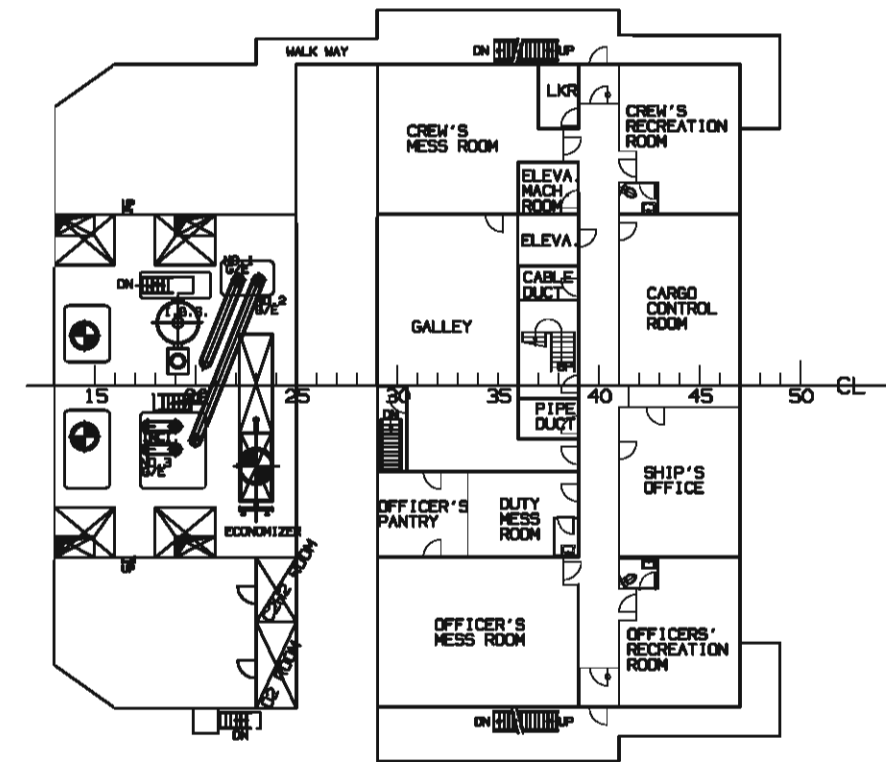
C DECK PLAN



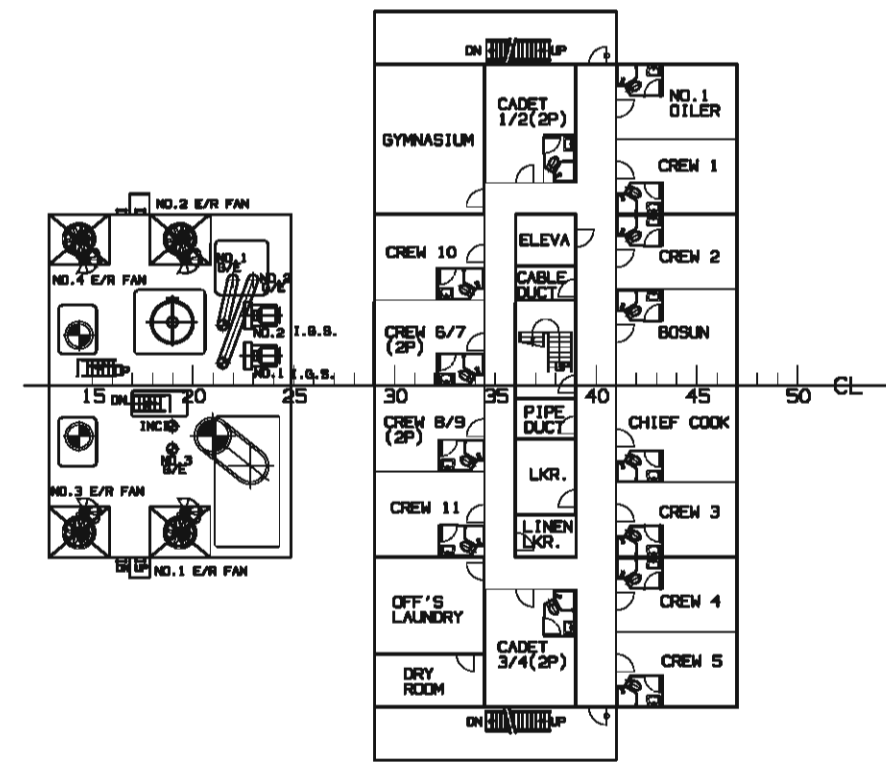
NAV. BRI DECK PLAN



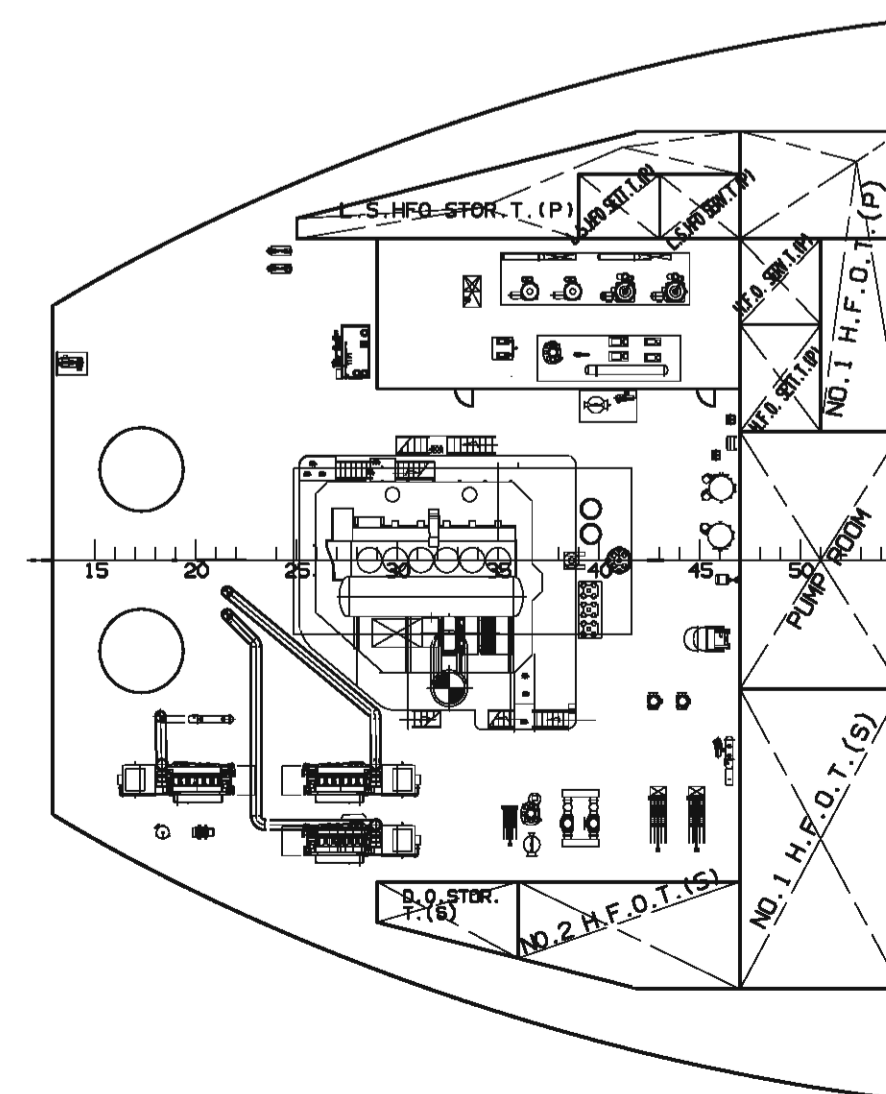
A DECK PLAN



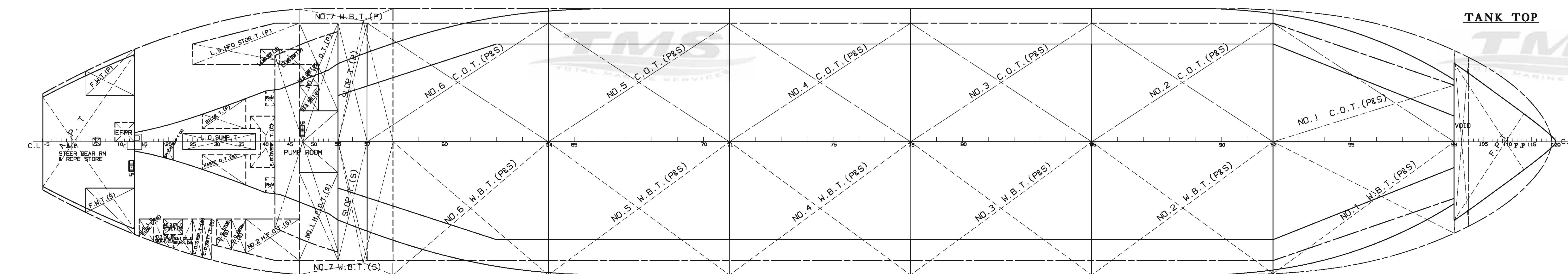
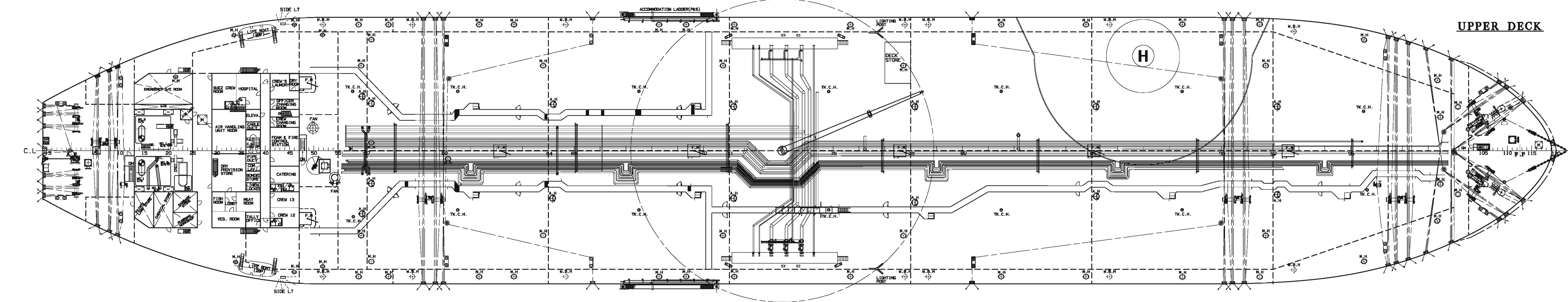
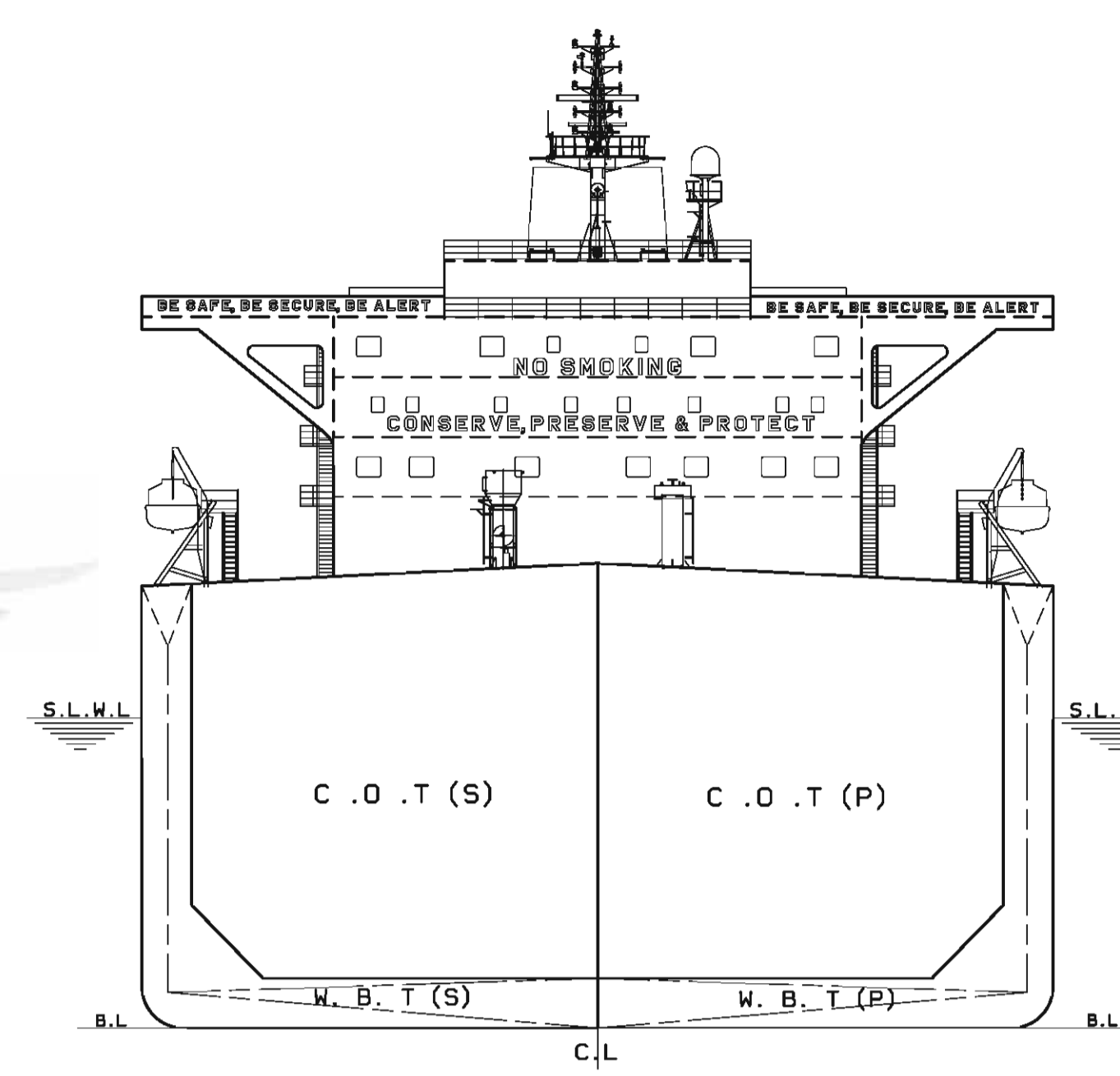
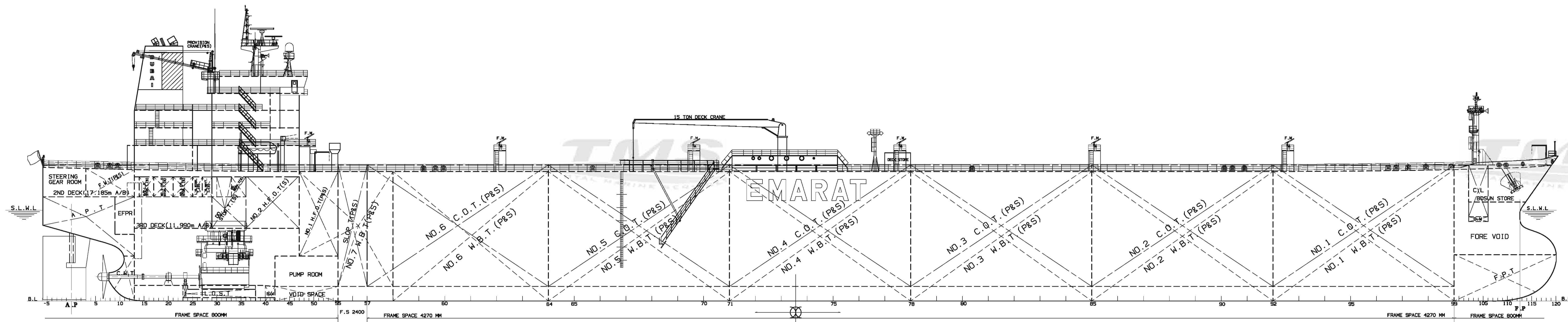
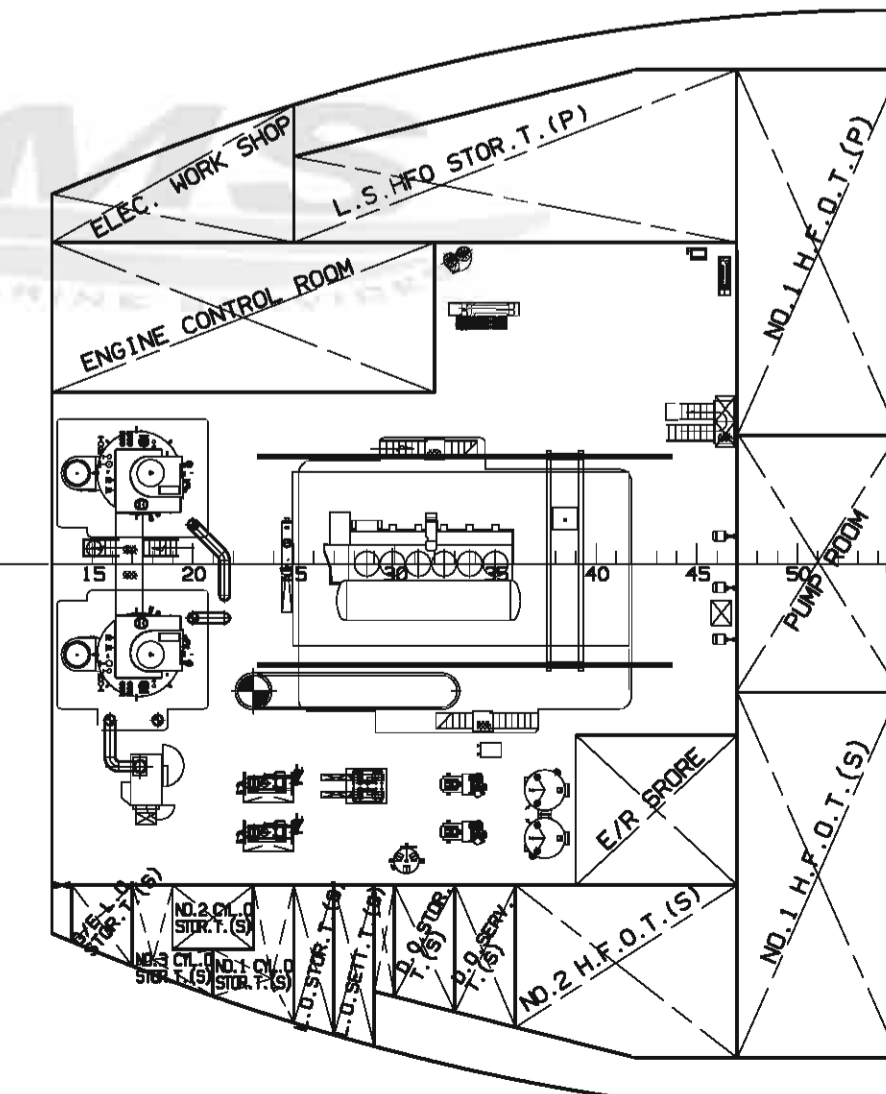
B DECK PLAN



E/R 3RD DECK



E/R 2ND DECK



" WARNING "
 This document is the sole property of Hanjin Heavy Industries & Construction Co. LTD.
 Must not be copied or used in any way of without their express permission and scrap immediately when allowed purpose is completed.
 HANJIN HEAVY INDUSTRIES & CONSTRUCTION CO., LTD.

PRINCIPAL PARTICULARS

LENGTH O. A. 250.00 m
 LENGTH B. P. 239.00 m
 BREADTH (MLD) 44.00 m
 DEPTH (MLD) 21.35 m
 DESIGN DRAFT (MLD) 13.60 m
 SUMMER LOAD DRAFT (EXT) 14.986m
 MAIN ENGINE
 TYPE : MAN-B&W 6S60MC-C
 MCR : 13,560kW(18,420PS) X 105.0 RPM
 NCR : 12,204kW(16,578PS) X 101.4 RPM
 SERVICE SPEED ON DESIGN DRAFT AT NCR WITH 15% S.M. : 15.00 KTS
 CLASSIFICATION LR : LR +100A1, Double Hull Oil Tanker, CSR, ESP, IWS, L1, Shipright (CM, SCM, PCWBT, SER) with notes Pt. H1 +LMC, UMS, IGS, COW, SBT, MPMS, BWMP(S-F)
 COMPLEMENT 32 PERSONS

IMO SHIP IDENTIFICATION NUMBER		9422524	
APP BY J. Y. PARK	DATE : JUNE 24, 2010	SCALE : 1/300	HULL NO.
APP BY H. D. KIM	TITLE : DWT 115,000 MT CRUDE OIL TANKER		N 208
CHK BY B. J. KIM	GENERAL ARRANGEMENT		DWG. NO.
DWN BY S. Y. HA	"DUBAI ANGEL"		BBM40001208
TEL NO 070 4034-7339			REV. NO. F

HANJIN HEAVY INDUSTRIES & CONSTRUCTION CO., LTD.