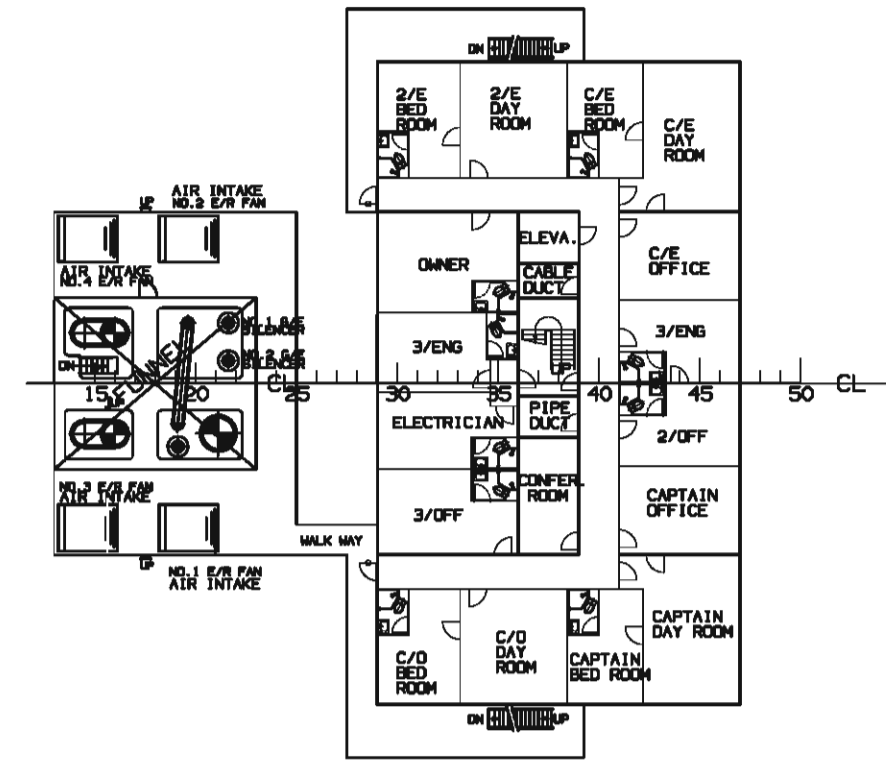


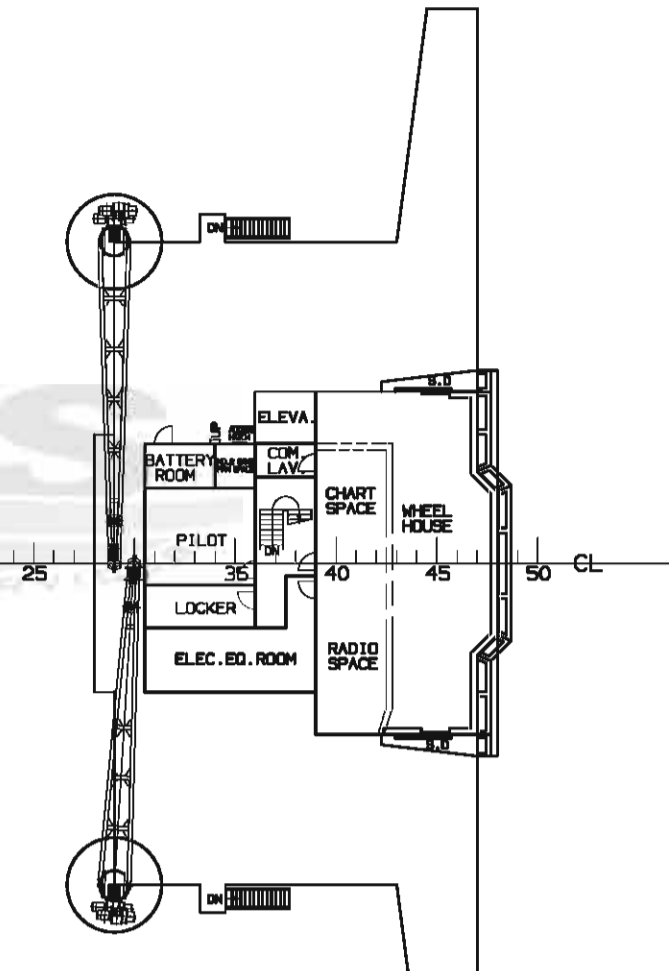
DWT 115,000MT CRUDE OIL TANKER

BIBLIOGRAPHY

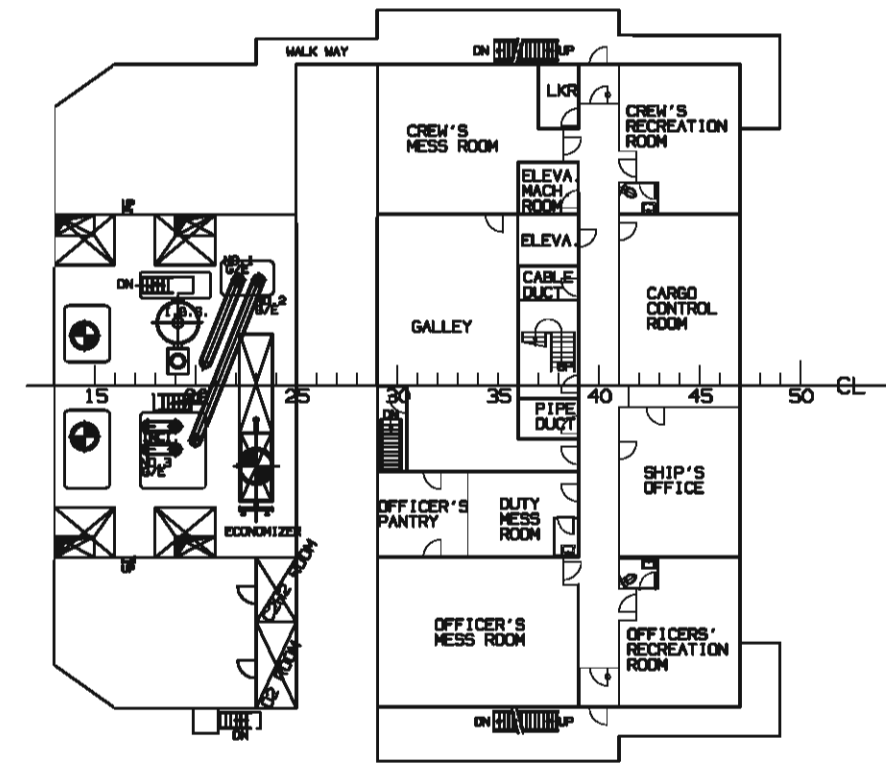
C DECK PLAN



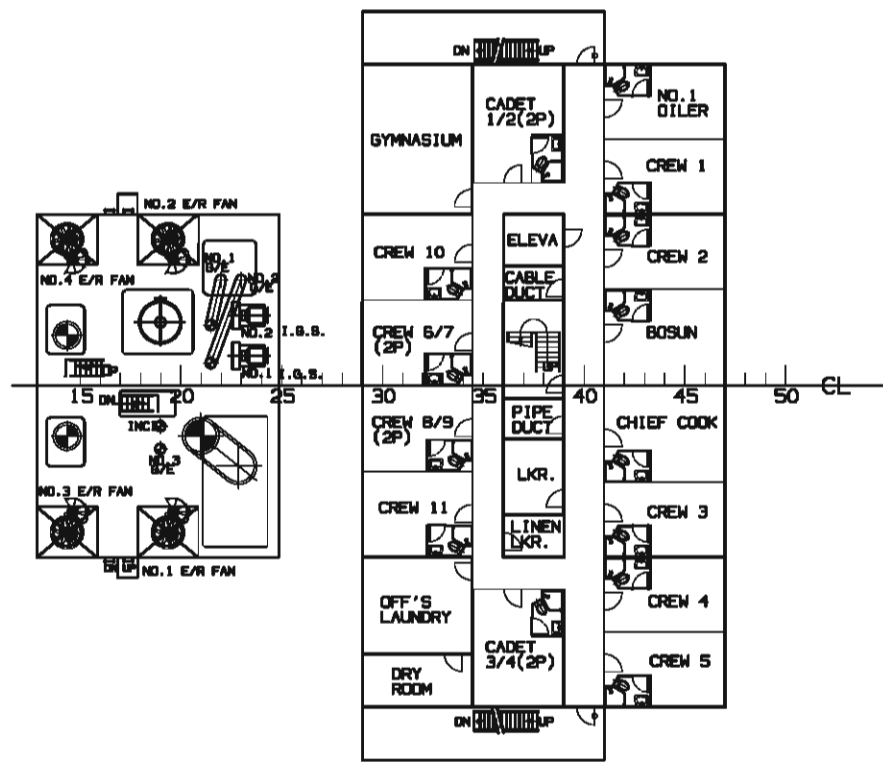
NAV. BRI DECK PLAN



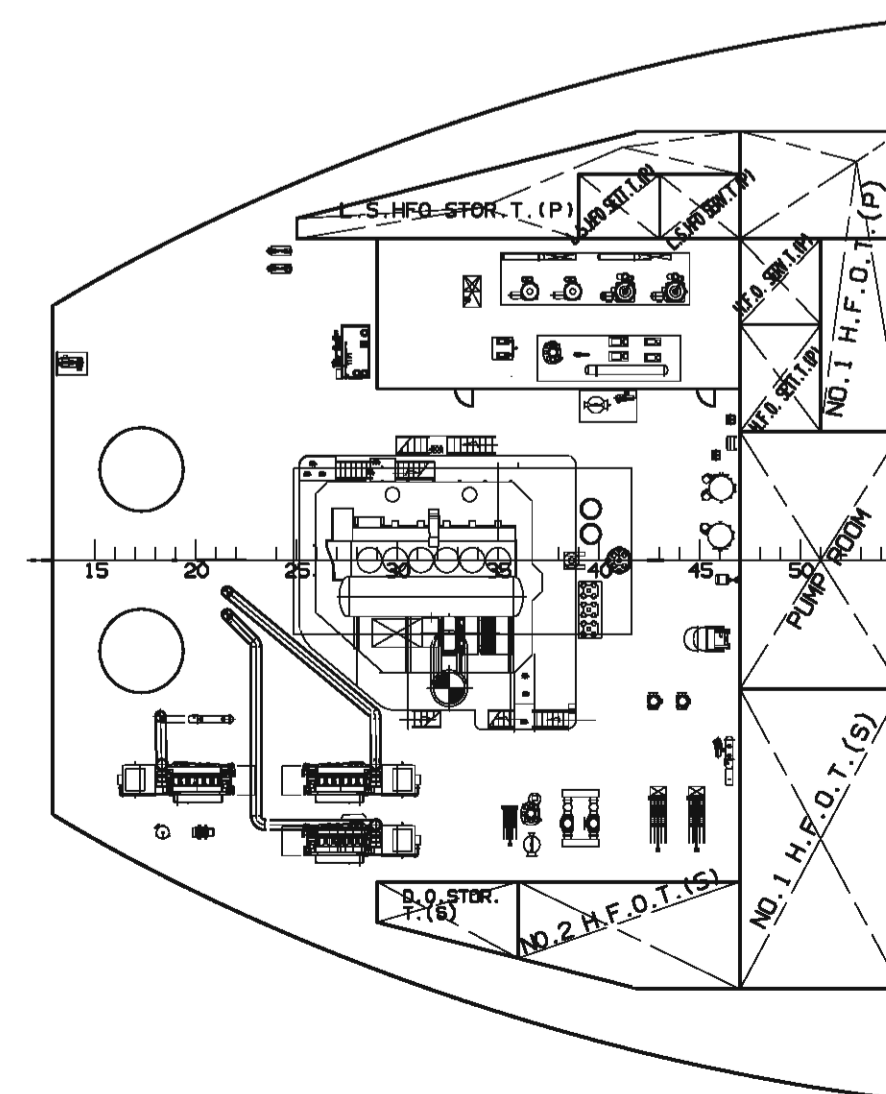
A DECK PLAN



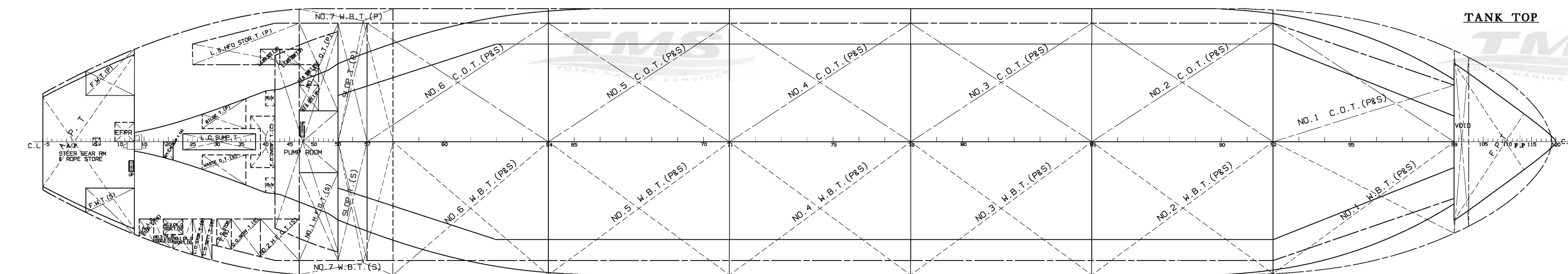
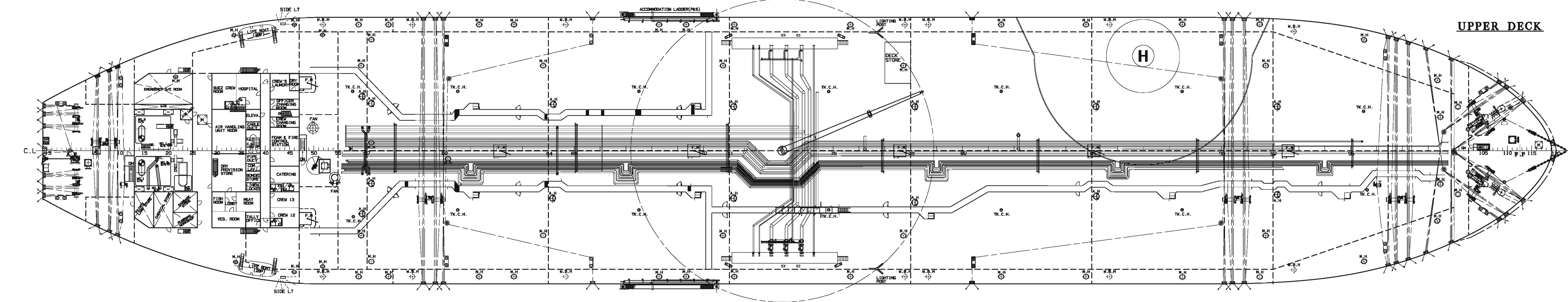
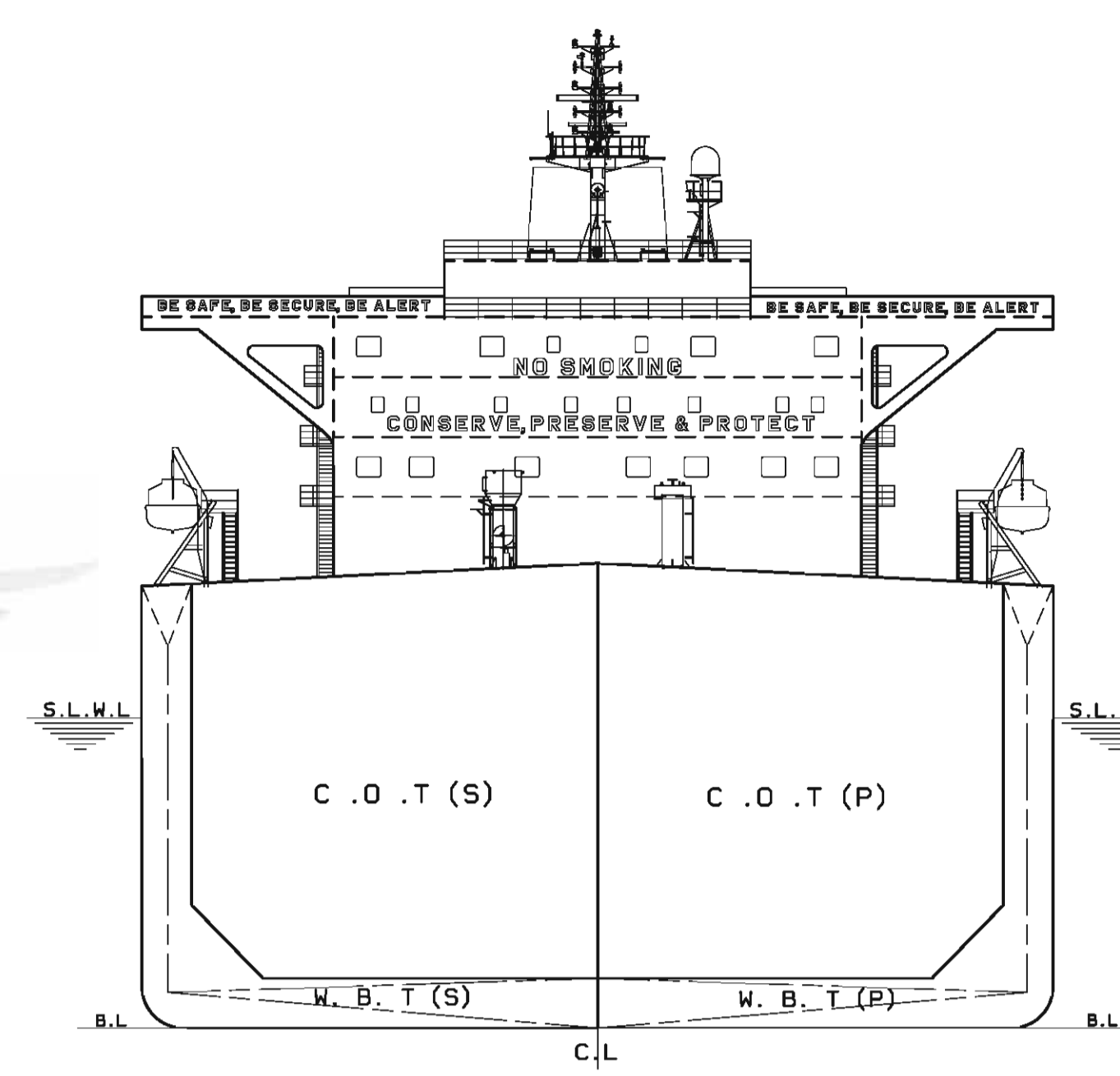
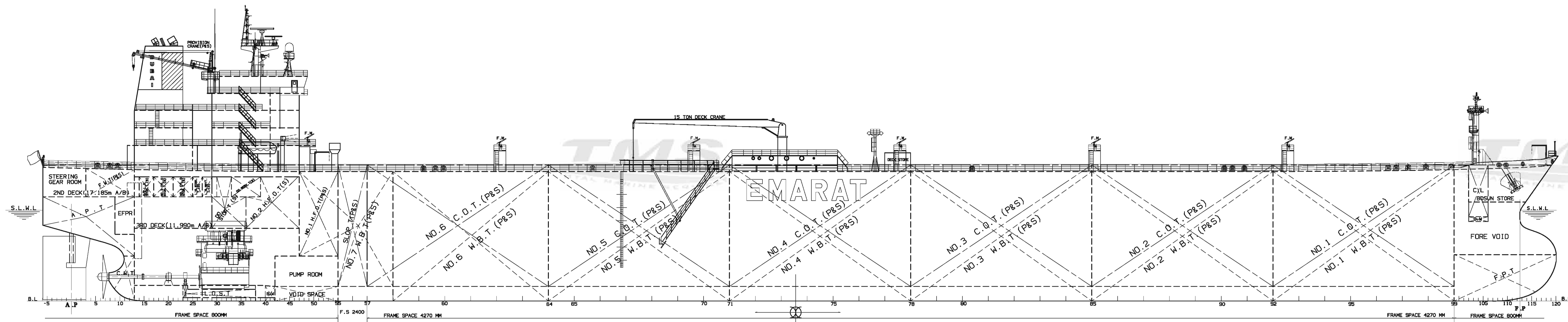
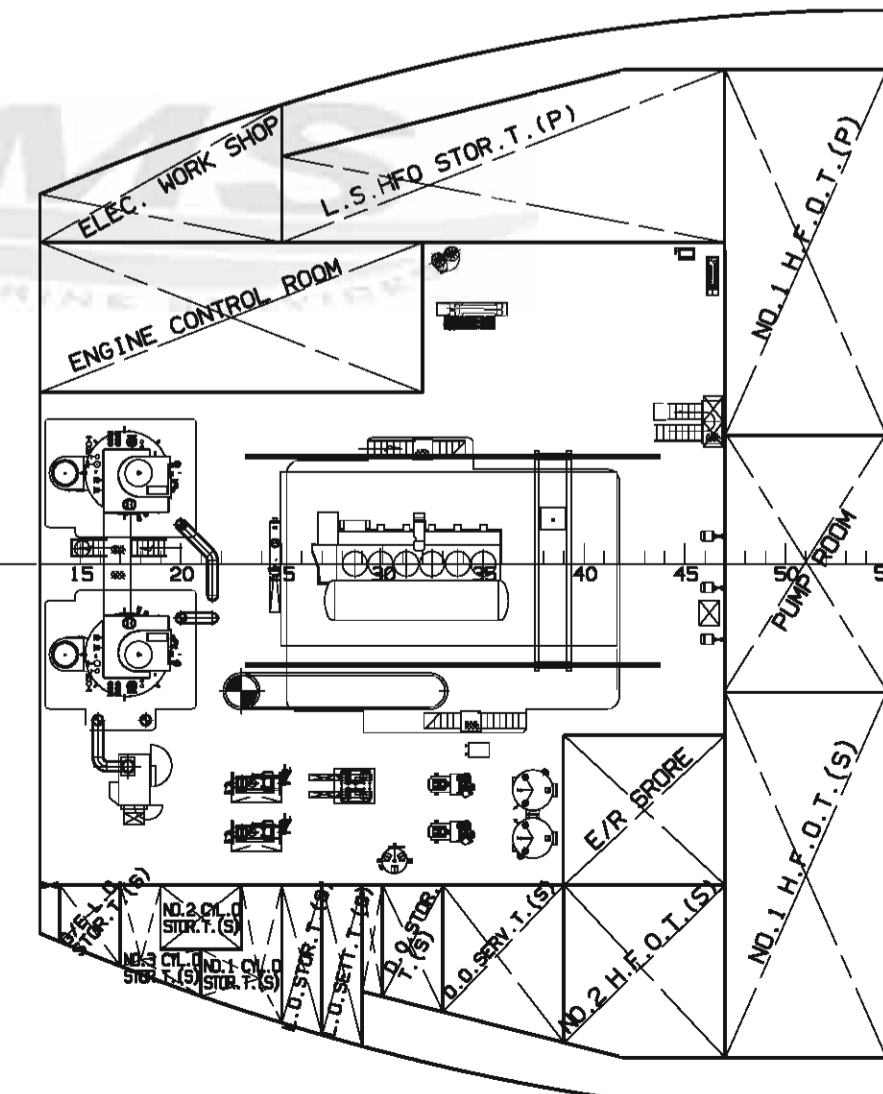
B DECK PLAN



E/R 3RD DECK



E/R 2ND DECK



" WARNING "
 This document is the sole property of Hanjin Heavy Industries & Construction Co. LTD.
 Must not be copied or used in any way of without their express permission and scrap immediately when allowed purpose is completed.
 HANJIN HEAVY INDUSTRIES & CONSTRUCTION CO., LTD.

PRINCIPAL PARTICULARS

LENGTH O. A. : 250.00 m
 LENGTH B. P. : 239.00 m
 BREADTH (MLD) : 44.00 m
 DEPTH (MLD) : 21.35 m
 DESIGN DRAFT (MLD) : 13.60 m
 SUMMER LOAD DRAFT (EXT) : 14.986m
 MAIN ENGINE
 TYPE : MAN-B&W 6S60MC-C
 MCR : 13,560kW(18,420PS) X 105.0 RPM
 NCR : 12,204kW(16,578PS) X 101.4 RPM
 SERVICE SPEED ON DESIGN DRAFT AT NCR WITH 15% S.M. : 15.00 KTS
 CLASSIFICATION LR : LR +100A1, Double Hull Oil Tanker, CSR, ESP, IWS, L1, Shipright (CM, SCM, PCWBT, SER5) with notes Pt. H1, LMC UMS, IGS, COW, SBT, MPMS, HPMS, BWMP(F)
 COMPLEMENT : 32 PERSONS

IMO SHIP IDENTIFICATION NUMBER		9422536	
APP BY	J. Y. PARK	DATE	JUNE 25, 2010
APP BY	H. C. PARK	SCALE	1/300
CHK BY	K. T. JOO	TITLE	DWT 115,000 MT CRUDE OIL TANKER
DWN BY	S. Y. HA	GENERAL ARRANGEMENT	
TEL NO	410-3453	"DUBAI ATTRACTION"	
		REV. NO.	F

HANJIN HEAVY INDUSTRIES & CONSTRUCTION CO., LTD.